

# HITACHI

KAOHSIUNG HITACHI  
ELECTRONICS CO.,LTD  
P.O. BOX 26-27  
2,13TH EAST ST. K.E.P.Z.  
KAOHSIUNG TAIWAN R.O.C.  
TEL:(07) 8215811 (7 LINE)  
FAX:(07) 8215815

FOR MESSRS : \_\_\_\_\_

DATE : Mar.25,2010

## CUSTOMER'S ACCEPTANCE SPECIFICATIONS

### SP14N001-Z1A

#### C O N T E N T S

No.	ITEM	SHEET No.	PAGE
1	COVER	7B64PS 2701- SP14N001-Z1A-8	1-1/1
2	RECORD OF REVISION	7B64PS 2702- SP14N001-Z1A-8	2-1/2~2/2
3	GENERAL SPECIFICATION	7B64PS 2703- SP14N001-Z1A-8	3-1/1
4	ABSOLUTE MAXIMUM RATINGS	7B64PS 2704- SP14N001-Z1A-8	4-1/1
5	ELECTRICAL CHARACTERISTICS	7B64PS 2705- SP14N001-Z1A-8	5-1/1
6	OPTICAL CHARACTERISTICS	7B64PS 2706- SP14N001-Z1A-8	6-1/2~2/2
7	BLOCK DIAGRAM	7B64PS 2707- SP14N001-Z1A-8	7-1/1
8	INTERFACE TIMING	7B64PS 2708- SP14N001-Z1A-8	8-1/2~2/2
9	OUTLINE DIMENSIONS	7B63PS 2709- SP14N001-Z1A-8 7B64PS 2709- SP14N001-Z1A-8	9-1/3 9-2/3~3/3
10	APPEARANCE STANDARD	7B64PS 2710- SP14N001-Z1A-8	10-1/3~3/3
11	PRECAUTION IN DESIGN	7B64PS 2711- SP14N001-Z1A-8	11-1/2~2/2
12	DESIGNATION OF LOT MARK	7B64PS 2712- SP14N001-Z1A-8	12-1/2~2/2
13	PRECAUTION FOR USE	7B64PS 2713- SP14N001-Z1A-8	13-1/1
14	TOUCH PANEL SPECIFICATION	7B64PS 2714- SP14N001-Z1A-8	14-1/3~3/3

\* When product will be discontinued , customer will be informed by HITACHI with twelve months prior announcement.

\* This product is inhibited to apply in any life support instrument.

ACCEPTED BY; \_\_\_\_\_

PROPOSED BY; Ken Chen

KAOHSIUNG HITACHI ELECTRONICS CO.,LTD.	Sh. No.	7B64PS 2701- SP14N001-Z1A-8	PAGE	1-1/1
---	------------	-----------------------------	------	-------

## RECORD OF REVISION

DATE	SHEET No.	SUMMARY										
Sep.05,'01	7B64PS 2703- SP14N001-Z1A-2 PAGE 3-1/1	Changed : Outer dimensions 159.4(W)mm x 101.0(H) mm x12.4(D) mm (max.)→159.4(W)mm x 101.0(H) mm x 12.8(D) mm(max.)										
	7B64PS 2709- SP14N001-Z1A-2 PAGE 9-1/3	Changed : T/P Outline 136.7→142.0 , 79.1→87.0										
	7B64PS 2709- SP14N001-Z1A-2 PAGE 9-3/3	Changed : CN1:Pin functions Connector:Molex/52103-2617→Molex/52207-2690										
Nov.27,'01	7B64PS 2709- SP14N001-Z1A-3 PAGE 9-1/3	Changed : CN1 Pin direction No.1 → 26 ; 26 → 1										
Apr.14,'04	7B63PS 2709- SP14N001-Z1A-4 PAGE 9-1/3	Changed : Revised : CFL Cable length (50) → (56)										
May.28,'07	7B64PS 2709- SP14N001-Z1A-5 Page 9-3/3	9.3 Internal Pin Connection Changed : CFL I / F : Mitsumi M63M83 – 04 → JAE IL-G-4S-S3C2-SA										
	7B64PS 2712- SP14N001-Z1A-5 Page 12-1/1	12. DESIGNATION OF LOT MARK Added <table border="1" style="margin-left: 20px; border-collapse: collapse; width: 80%;"> <thead> <tr> <th style="width: 15%;">REV No.</th> <th style="width: 55%;">ITEM</th> <th style="width: 30%;">LOT No.</th> </tr> </thead> <tbody> <tr> <td style="text-align: center;">-</td> <td>CFL I/F Connector : Mitsumi M63M83 - 04</td> <td style="text-align: center;">-</td> </tr> <tr> <td style="text-align: center;">A</td> <td>CFL I/F Connector : JAE IL-G-4S-S3C2-SA</td> <td style="text-align: center;">7102T</td> </tr> </tbody> </table>	REV No.	ITEM	LOT No.	-	CFL I/F Connector : Mitsumi M63M83 - 04	-	A	CFL I/F Connector : JAE IL-G-4S-S3C2-SA	7102T	
REV No.	ITEM	LOT No.										
-	CFL I/F Connector : Mitsumi M63M83 - 04	-										
A	CFL I/F Connector : JAE IL-G-4S-S3C2-SA	7102T										
May.13,'08	7B64PS 2714- SP14N001-Z1A-6 PAGE 14-1/3	14.1.2 OPERATING CONDITIONS Changed :										
		<table border="1" style="margin-left: 20px; border-collapse: collapse; width: 80%;"> <thead> <tr> <th style="width: 30%;">ITEM</th> <th style="width: 70%;">SPECIFICATIONS</th> </tr> </thead> <tbody> <tr> <td>Actuation Force</td> <td style="text-align: center;">(10~50g)</td> </tr> </tbody> </table> <p style="text-align: center;">↓</p> <table border="1" style="margin-left: 20px; border-collapse: collapse; width: 80%;"> <thead> <tr> <th style="width: 30%;">ITEM</th> <th style="width: 70%;">SPECIFICATIONS</th> </tr> </thead> <tbody> <tr> <td>Actuation Force</td> <td style="text-align: center;">1.2N max.</td> </tr> </tbody> </table>	ITEM	SPECIFICATIONS	Actuation Force	(10~50g)	ITEM	SPECIFICATIONS	Actuation Force	1.2N max.		
		ITEM	SPECIFICATIONS									
		Actuation Force	(10~50g)									
ITEM	SPECIFICATIONS											
Actuation Force	1.2N max.											
14.2.1 INPUT METHOD & ACTUATION FORCE Changed :												
<table border="1" style="margin-left: 20px; border-collapse: collapse; width: 80%;"> <thead> <tr> <th style="width: 30%;">INPUT METHOD</th> <th style="width: 30%;">ACTUATION FORCE</th> <th style="width: 40%;">COMMENT</th> </tr> </thead> <tbody> <tr> <td style="text-align: center;">PEN</td> <td style="text-align: center;">(10~50g)</td> <td style="text-align: center;">R0.8, Polyacetal pen</td> </tr> </tbody> </table> <p style="text-align: center;">↓</p> <table border="1" style="margin-left: 20px; border-collapse: collapse; width: 80%;"> <thead> <tr> <th style="width: 30%;">INPUT METHOD</th> <th style="width: 30%;">ACTUATION FORCE</th> <th style="width: 40%;">COMMENT</th> </tr> </thead> <tbody> <tr> <td style="text-align: center;">PEN</td> <td style="text-align: center;">1.2N max.</td> <td style="text-align: center;">R0.8, Polyacetal pen</td> </tr> </tbody> </table>	INPUT METHOD	ACTUATION FORCE	COMMENT	PEN	(10~50g)	R0.8, Polyacetal pen	INPUT METHOD	ACTUATION FORCE	COMMENT	PEN	1.2N max.	R0.8, Polyacetal pen
INPUT METHOD	ACTUATION FORCE	COMMENT										
PEN	(10~50g)	R0.8, Polyacetal pen										
INPUT METHOD	ACTUATION FORCE	COMMENT										
PEN	1.2N max.	R0.8, Polyacetal pen										

DATE	SHEET No.	SUMMARY						
Sep.11,'09	7B64PS 2712-SP14N001-Z1A-7 PAGE 12-1/1	12. DESIGNATION OF LOT MARK Added <table border="1" data-bbox="676 248 1378 338"> <thead> <tr> <th data-bbox="676 248 876 293">REV No.</th> <th data-bbox="876 248 1169 293">ITEM</th> <th data-bbox="1169 248 1378 293">LOT No.</th> </tr> </thead> <tbody> <tr> <td data-bbox="676 293 876 338">B</td> <td data-bbox="876 293 1169 338">M count IC change</td> <td data-bbox="1169 293 1378 338">-</td> </tr> </tbody> </table>	REV No.	ITEM	LOT No.	B	M count IC change	-
REV No.	ITEM	LOT No.						
B	M count IC change	-						
Mar.25,'10	7B64PS 2703-SP14N001-Z1A-8 Page 3-1/1	3. GENERAL SPECIFICATIONS Changed : (12) LCD Controller T6963C / TOSHIBA ↓ T6963C equivalent						
	7B64PS 2712-SP14N001-Z1A-8 Page 12-1/1	12. DESIGNATION OF LOT MARK Added <table border="1" data-bbox="676 640 1378 730"> <thead> <tr> <th data-bbox="676 640 876 685">REV No.</th> <th data-bbox="876 640 1169 685">ITEM</th> <th data-bbox="1169 640 1378 685">NOTE</th> </tr> </thead> <tbody> <tr> <td data-bbox="676 685 876 730">C</td> <td data-bbox="876 685 1169 730">Controller IC Change</td> <td data-bbox="1169 685 1378 730">PCN0768</td> </tr> </tbody> </table>	REV No.	ITEM	NOTE	C	Controller IC Change	PCN0768
REV No.	ITEM	NOTE						
C	Controller IC Change	PCN0768						

### 3. GENERAL SPECIFICATIONS

(1) Part Name	SP14N001-Z1A
(2) Outer Dimensions	159.4(W)mm x 101.0(H)mm x 12.8(D)mm(max.)
(3) Effective Display Area	123 mm min. x 68 mm min.
(4) Dot Size	0.48(W)min. x 0.48(H)min.
(5) Dot Pitch	0.50(W)mm x 0.50(H)mm
(6) Dot Number (Resolution)	240 (W) x 128 (H)
(7) Duty Ratio	1/128
(8) LCD Type	Transmissive type F-STN With glare type upper polarizer
(9) Viewing Direction	6 O'clock
(10) Back Light Type	Cold cathode fluorescent lamp.
(11) Touch Panel	Analog resistive Transparency : 76% min. Surface type : anti-glare
(12) LCD Controller	T6963C equivalent

## 4. ABSOLUTE MAXIMUM RATINGS

### 4.1 ELECTRICAL ABSOLUTE MAXIMUM RATINGS.

VSS=0V:STANDARD

ITEM	SYMBOL	MIN.	MAX.	UNIT	COMMENT
Power Supply For Logic	VDD-VSS	0	7.0	V	
Input Voltage	$V_i$	-0.3	VDD+0.3	V	
Input Current	$I_i$	0	1	A	
Static Electricity	VESD0	-	±100	V	(Note 1,2,3)
	VESD1	-	±10	KV	(Note 1,2,4)

Note 1 : Make certain you are grounded when handling LCM.

Note 2 : Energy storage capacitance 200pF , discharge resistance 250Ω

$T_a=25^{\circ}\text{C}$  , 60%RH.

Note 3 : Contact discharge to I/F connector pins.

Note 4 : Contact discharge to front metal bezel.

### 4.2 ENVIRONMENTAL ABSOLUTE MAXIMUM RATINGS.

ITEM	OPERATING		STORAGE		COMMENT
	MIN.	MAX.	MIN.	MAX.	
Ambient Temperature	-10°C	60°C	-20°C	70°C	(Note 2,3,8)
Humidity	(Note 1)		(Note 1)		Without condensation
Vibration	-	2.45m/s <sup>2</sup> (0.25G)	-	11.76m/s <sup>2</sup> (1.2G) (Note 5)	(Note 4) 1 hour max.
Shock	-	29.4m/s <sup>2</sup> (3 G)	-	490.0m/s <sup>2</sup> (50 G) (Note 5)	XYZ directions
Corrosive Gas	Not Acceptable		Not Acceptable		

Note 1 :  $T_a \leq 40^{\circ}\text{C}$  : 85%RH max.

$T_a > 40^{\circ}\text{C}$  : Absolute humidity must be lower.

Than the humidity of 85%RH at 40°C

Note 2 :  $T_a$  at -20°C ——< 48h, at 60°C < 168h.

Note 3 : Background color changes slightly depending on ambient temperature.

This phenomenon is reversible.

Note 4 : 5Hz~100Hz (Except resonance frequency)

Note 5 : This module should be operated normally after finishing the test.

Note 6 : When LCM will be operated at 0°C , the life time of CFL will be reduced.

Need to make sure of value of the characteristics of inverter.

Also the response time at 0°C will be slower.

Note 7 : There are possibility that color non-uniformity happened while operating at over 40°C.

Note 8 : 0°C~55°C With CFL and touch screen operated.

## 5. ELECTRICAL CHARACTERISTICS

### 5.1 ELECTRICAL CHARACTERISTICS

ITEM	SYMBOL	CONDITION	MIN.	TYP.	MAX.	UNIT
Power Supply Voltage For Logic	VDD-VSS	—	(4.75)	5.0	(5.25)	V
LC Driver Circuit Power Supply Voltage	VEE-VSS	—	—	-15.0	—	V
Input Voltage	VI	H LEVEL	0.8VDD	—	VDD	V
		L LEVEL	0	—	0.2VDD	V
Power Supply Current For Logic (Note 1)	IDD	VDD-VSS= 5.0V	—	(11.7)	(14.0)	mA
Power Supply Current For Logic (Note 1)	IEE	VDD-VSS= 5.0V	—	(2.5)	(4.0)	mA
Recommended LC Driving Voltage (Note 2)	VDD-V0	Ta= 0°C , $\phi = 0^\circ$	—	(16.9)	—	V
		Ta=25°C , $\phi = 0^\circ$	—	(15.8)	—	V
		Ta=50°C , $\phi = 0^\circ$	—	(15.2)	—	V

Note 1 : VDD-V0=(15.8)V , Ta=25°C

Note 2 : Recommended LC driving voltage may fluctuate about  $\pm 1.0V$  by each module.  
Test pattern is all "Q".

### 5.2 ELECTRICAL CHARACTERISTICS OF BACKLIGHT

ITEM	SYMBOL	MIN.	TYP.	MAX.	UNIT	NOTE
Lamp Voltage	VL	-	(300)	-	Vrms	Ta=25°C
Frequency	fL	-	(70)	(85)	kHz	Ta=25°C
Lamp Current	IL	(4)	(5)	(6)	mArms	Ta=25°C
Starting Discharge Voltage	VS (Note 2)	(1000)	-	-	Vrms	Ta=25°C

Please certainly inform hitachi before designing lamp drive circuit according to the above specifications.

Note 1 : Please make sure that your inverter is designed to meet the above specifications.

Note 2 : Starting discharge voltage is increased when LCM is operating at lower temperature.  
Please check the characteristics of your inverter before applying to your set.

Note 3 : Average life time of CFL will be decreased when LCM is operating at lower temperature.

Note 4 : Under lower driving frequency of an inverter , a backlight system (CFL & CFL reflection sheet) may generate a sound noise.

Note 5 : When IL is used over 5.5mA , it may cause uneven contrast near CFL location , due to heat dispersion from CFL.

# 6. OPTICAL CHARACTERISTICS

## 6.1 OPTICAL CHARACTERISTICS

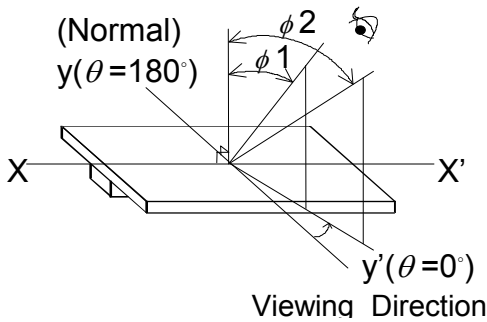
Ta=25°C (Backlight on)

ITEM	SYMBOL	CONDITIONAL	MIN.	TYP.	MAX.	UNIT	NOTE
Viewing Area	$\phi 2-\phi 1$	$K \geq 2.0$	-	40	-	deg.	1,2
Contrast Ratio	K	$\phi = 0^\circ, \theta = 0^\circ$	-	(20)	-	-	3
Response Time (Rise)	tr	$\phi = 0^\circ, \theta = 0^\circ$	-	(120)	-	ms	4
Response Time (Fall)	tf	$\phi = 0^\circ, \theta = 0^\circ$	-	(150)	-	ms	4

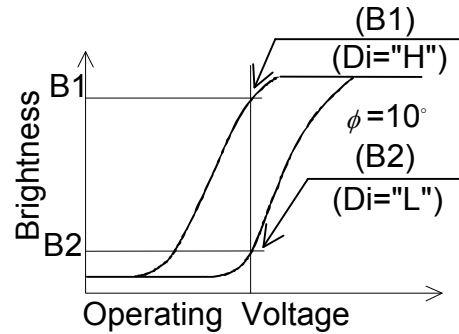
(Measure condition by HITACHI)

Note 1 : Definition of  $\theta$  and  $\phi$

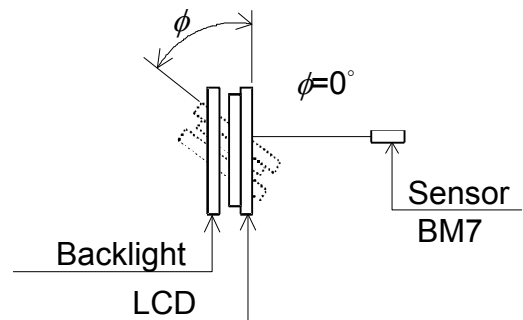
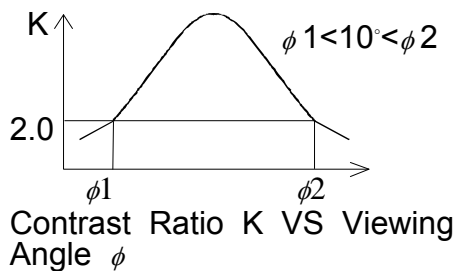
Note 3 : Definition of contrast "K"



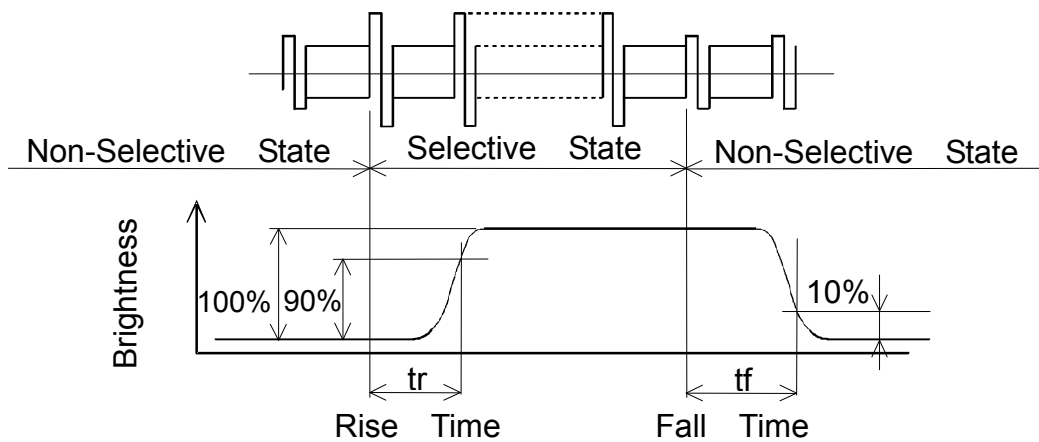
$$K = \frac{\text{Brightness on selected dot (B1)}}{\text{Brightness on non-selected dot (B2)}}$$



Note 2 : Definition of viewing angle  $\phi 1$  and  $\phi 2$ .



Note 4 : Definition of optical response



## 6.2 OPTICAL CHARACTERISTICS OF BACKLIGHT

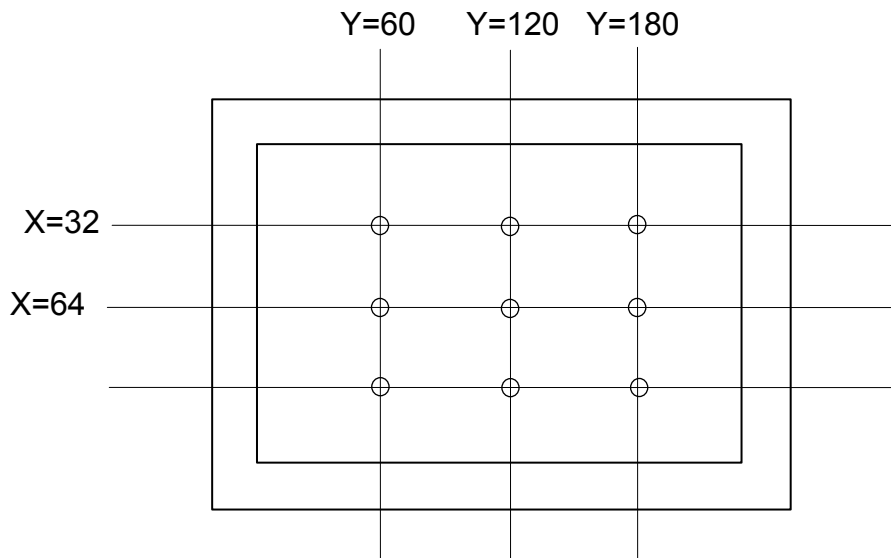
I T E M	MIN.	TYP.	MAX.	UNIT	NOTE
Brightness	(91)	(114)	-	cd/m <sup>2</sup>	IL=(5mA) (Note 1,2)
Rise Time	-	5	-	Minute	IL=(5mA) Brightness 80%
Brightness Uniformity	-	-	±30	%	Undermentioned (Note 1,3)

CFL : Initial, Ta=25°C, VDD-V0=(15.8)V  
Display data should be all "ON".

Note 1 : Measurement after 10 minutes of CFL operating.

Note 2 : Brightness control : 100%

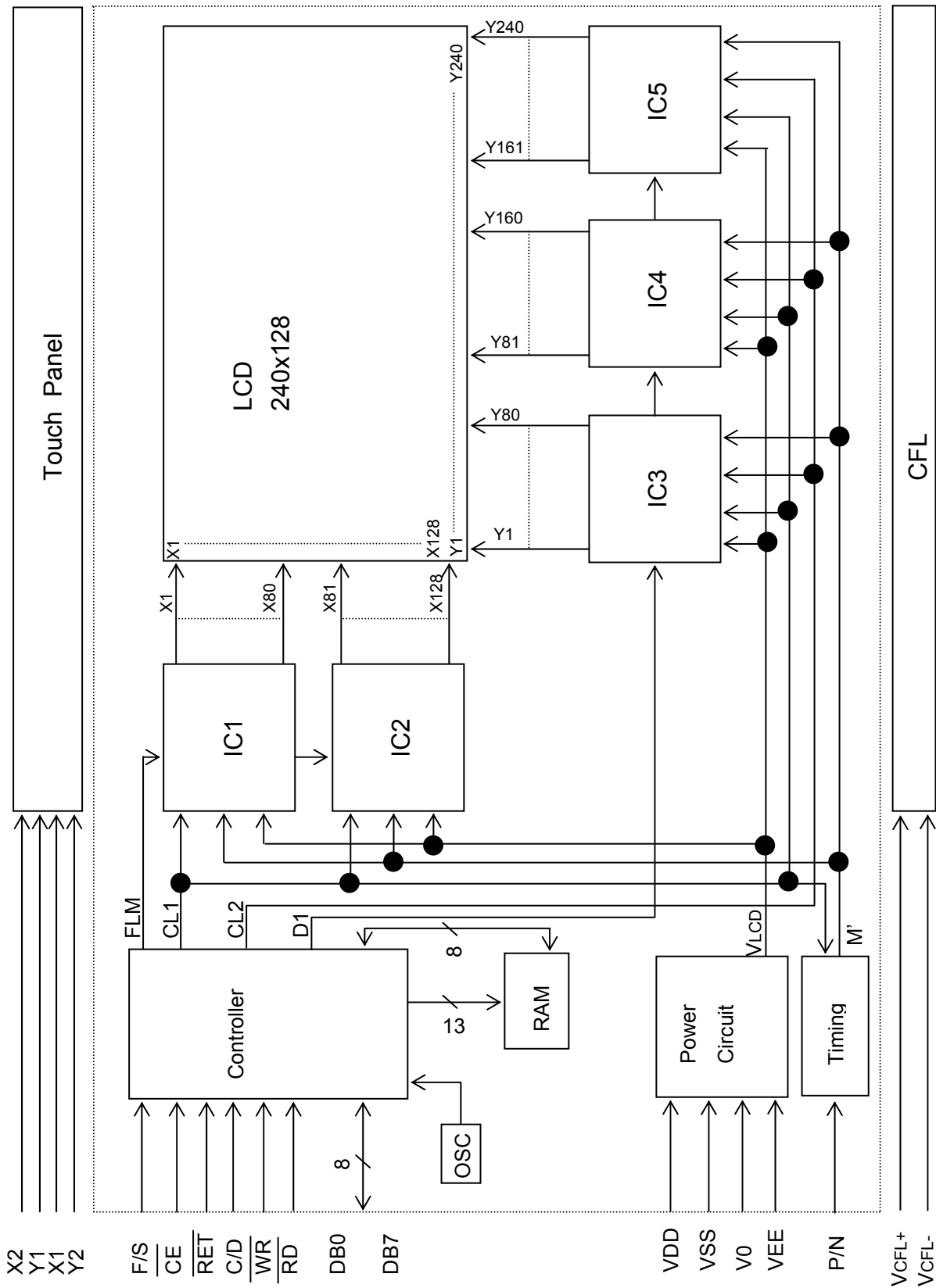
Note 3 : Measure of the following 9 places on the display.



Definition of the brightness tolerance.

$$\left( \frac{\text{max. or min. Brightness} - \text{Average Brightness}}{\text{Average Brightness}} \right) \times 100$$

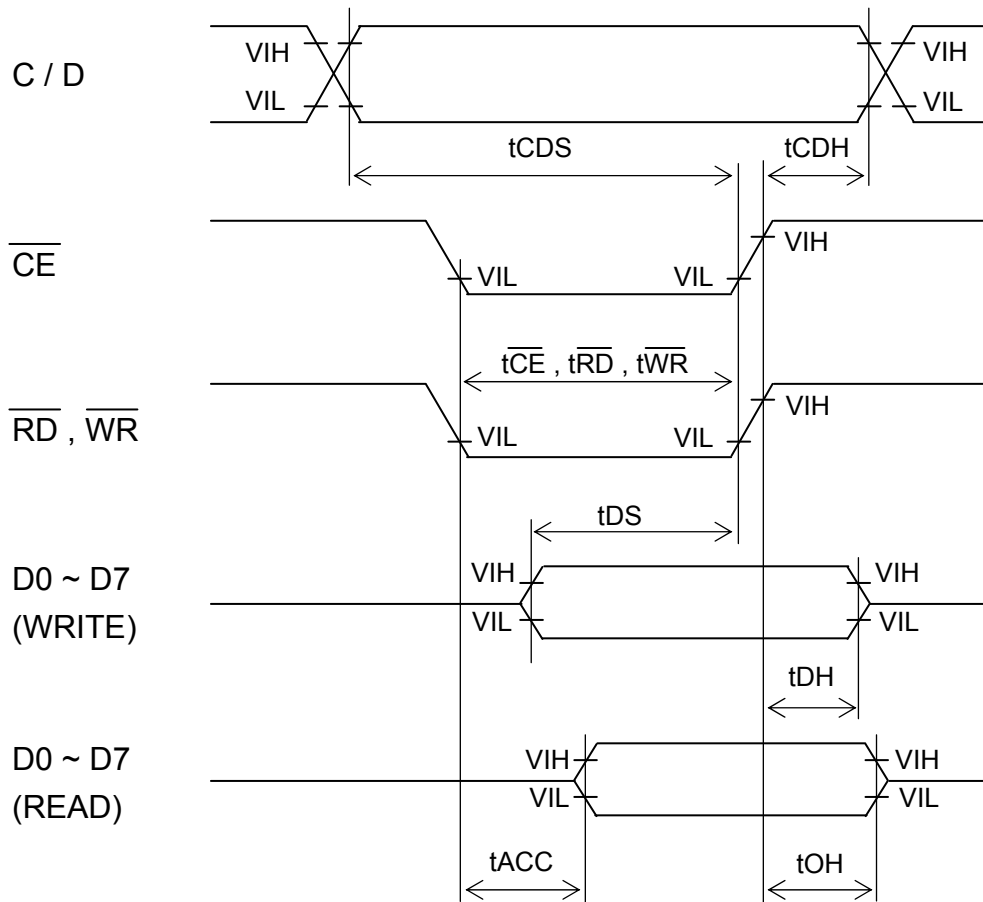
# 7. BLOCK DIAGRAM



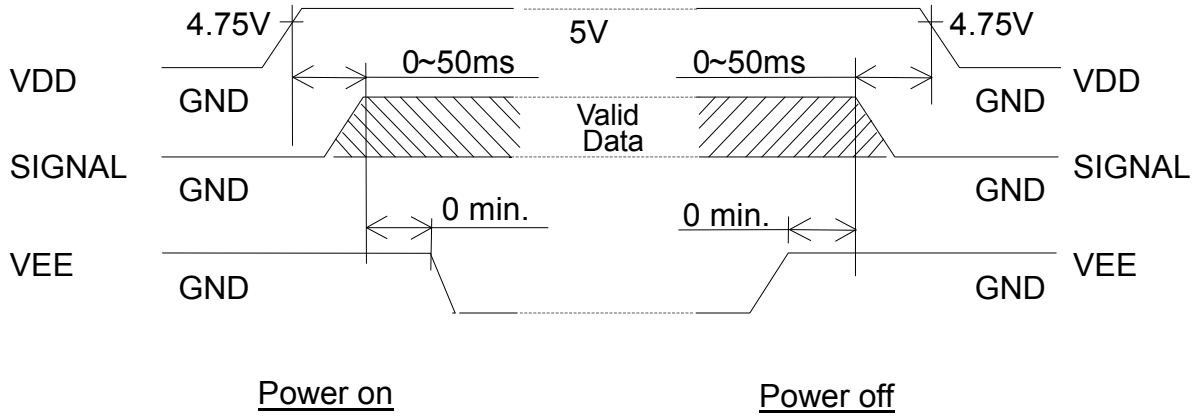
# 8. INTERFACE TIMING

## 8.1 INTERFACE TIMING

ITEM	SYMBOL	MIN.	TYP.	MAX.	UNIT
C / D Setup Time	tCDS	100	-	-	ns
C / D Hold Time	tCHD	10	-	-	ns
CE , RD , WR Pulse Width	tCE , tRD , tWR	80	-	-	ns
Data Setup Time	tDS	80	-	-	ns
Data Hold Time	tDH	40	-	-	ns
Access Time	tACC	-	-	150	ns
Output Hold Time	tOH	10	-	50	ns

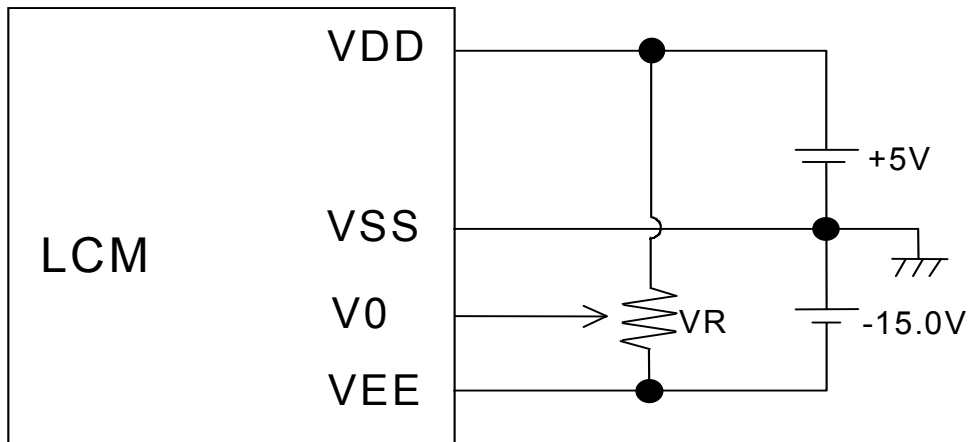


## 8.2 TIMING OF POWER SUPPLY AND INTERFACE SIGNAL



The missing pixels may occur when the LCM is driven beyond above power interface timing sequence.

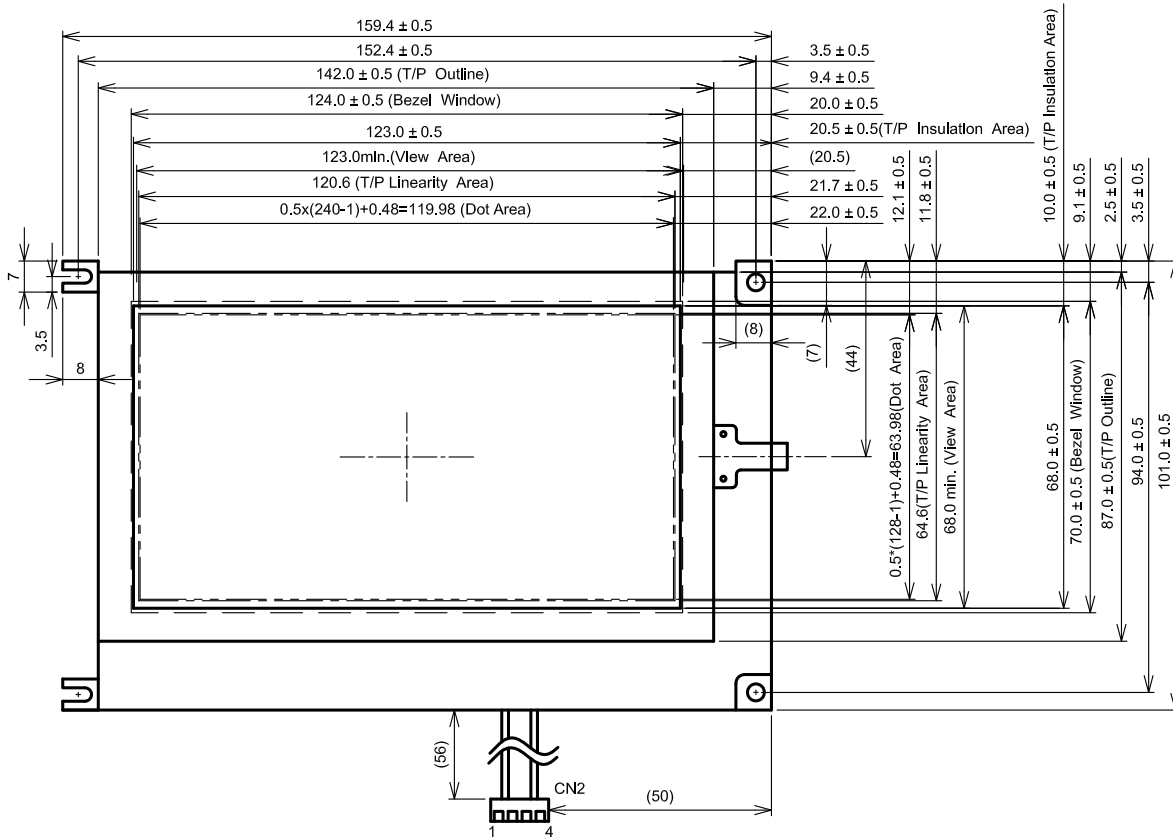
## 8.3 POWER SUPPLY FOR LCM (EXAMPLE)



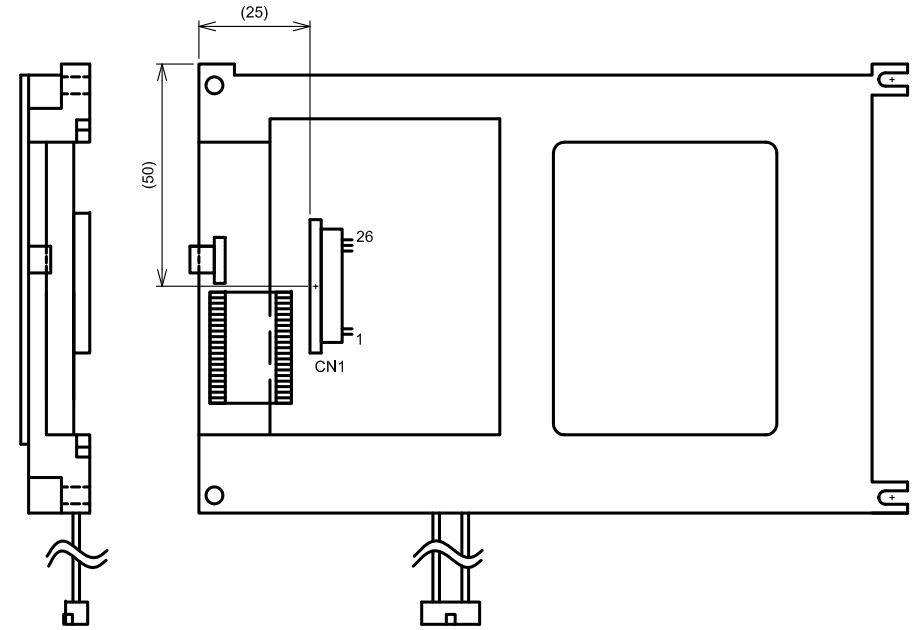
VR : 10~20k $\Omega$   
 VDD-V0 : LCD driving voltage

# 9. OUTLINE DIMENSIONS

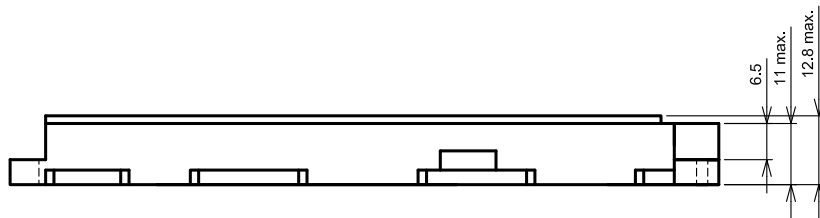
## 9.1 OUTLINE DIMENSIONS



Front View

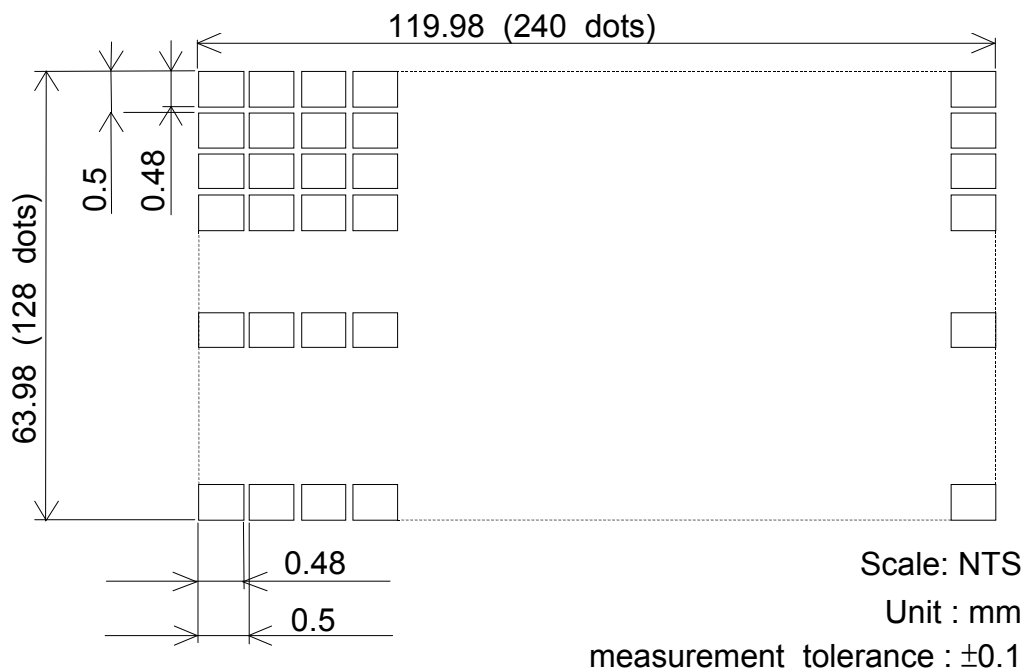


Rear View



Scale : NTS  
Unit : mm

## 9.2 DISPLAY PATTERN



### 9.3 INTERNAL PIN CONNECTION

CN1 : pitch 1.0mm 26pins connector  
 Suitable connector Molex : 52207-2690

PIN No.	SYMBOL	FUNCTION
1	VSS(0V)	Ground
2	VDD(+5V)	Power supply for logic
3	V0(Input)	Power supply for LCD drive
4	C/D	WR="L" : C/D="H" command write C/D="L" data write RD="L" : C/D="H" status read C/D="L" data read
5	$\overline{WR}$	data write (data write at "L")
6	$\overline{RD}$	data read (read data at "L")
7	DB0	Data bus
8	DB1	
9	DB2	
10	DB3	
11	DB4	
12	DB5	
13	DB6	
14	DB7	
15	$\overline{CE}$	Chip enable ( $\overline{CE}$ must be "L")
16	$\overline{RET}$	Reset
17	VEE	Power supply for LCD drive
18	$\overline{D.OFF}$	VDD/Display , GND/Display off
19	F/S	Character font select : F/S="H" 6*8Font F/S="L" 8*8Font
20	P/N	Display mode reverse.
21	NC	No connection
22	NC	No connection
23	Y2	Analog signal digitizer bottom
24	X1	Analog signal digitizer right
25	Y1	Analog signal digitizer upper
26	X2	Analog signal digitizer left

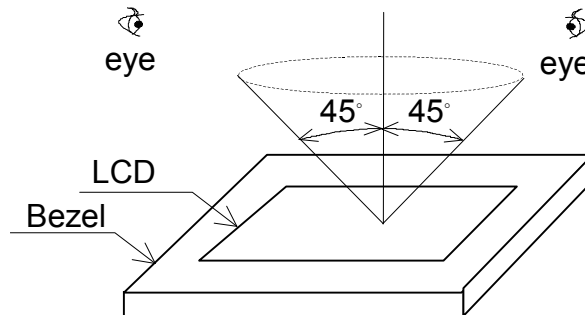
CN2 : JAE IL-G-4S-S3C2-SA

PIN No.	SYMBOL	FUNCTION
1	VCFL-	CFL Ground
2	NC	NO Connection
3	NC	NO Connection
4	VCFL+	Power supply for CFL

## 10. APPEARANCE STANDARD

10.1 APPEARANCE INSPECTION CONDITIONS (IN THE EFFECTIVE VIEWING AREA) VISUAL INSPECTION SHOULD BE UNDER THE FOLLOWING CONDITION.

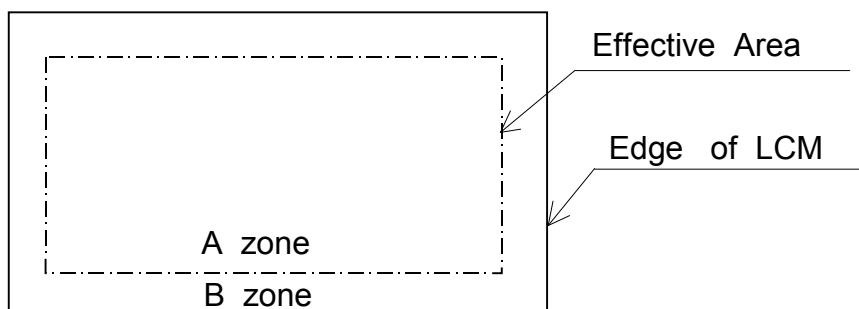
- (1) In the dark room.
- (2) With CFL panel lighted with prescribed inverter circuit.
- (3) With eye to LCD distance is 25cm.
- (4) Viewing angle within 45 degrees from the perpendicular to the center LCD.



## 10.2 DEFINITION OF EACH ZONE

A zone : Within the viewing area specified at page 9-1/3 of this document.

B zone : Area between the outline of LCM and the effective area specified at page 9-1/3 of this document.



### 10.3 APPEARENCE SPECIFICATION

\*) If a problem occurs in respect to any of these items , responsible of both parties (customer and HITACHI) will discuss in more detail.

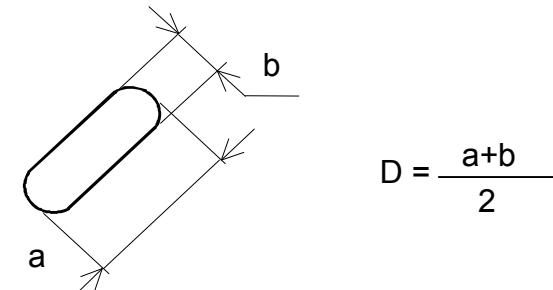
No.	ITEM	CRITERIA				A	B
L  C  D	Scratches	Distinguished one is not acceptable (To be judged by HITACHI limit sample)				*	-
	Dent	Same as above				*	-
	Wrinkles in Polarizer	Same as above				*	-
	Bubbles	Average Diameter D(mm)		Maximum Number Acceptable		O	-
		$D \leq 0.2$		Ignore			
		$0.2 < D \leq 0.3$		12			
		$0.3 < D \leq 0.5$		3			
		$0.5 < D$		None			
	Stains, Foreign Materials, Dark Spot	Filamentous				O	-
		Length L(mm)	Width W(mm)	Maximum Number Acceptable			
		$L \leq 2.0$	$W \leq 0.03$	Ignore			
		$L \leq 3.0$	$0.03 < W \leq 0.05$	6			
		-	$0.05 < W$	Judged by "round" shape			
		ROUND				O	-
		Average Diameter D(mm)	Maximum Number Acceptable	Minimum Space			
		$D < 0.2$	Ignore	-			
		$0.2 \leq D < 0.33$	8	10mm			
		$0.33 \leq D$	None	-			
	Total		Filamentous + Round = 10				
	Those wiped out easily are acceptable				O	O	
	Color Tone	To be judged by HITACHI limit sample				O	-
	Color Uniformity	Same as above				O	-
	Pinhole	Average Diameter D(mm)		Maximum Number Acceptable		O	-
		$D \leq 0.15$		Ignore			
$0.15 < D \leq 0.3$		10					
$C \leq 0.015$		Ignore					
Contrast Irregularity (Spot)	Average Diameter D(mm)	Contrast	Maximum Number Acceptable	Minimum Space	O	-	
	$D \leq 0.25$	To be judged by HITACHI	Ignore	-			
	$0.25 < D \leq 0.35$		10	20mm			
	$0.35 < D \leq 0.5$		4	20mm			
	$0.5 < D$		None	-			

No.	ITEM	CRITERIA				A	B
L C D	Contrast Irregularity (Line) (Filamentous)	Width W(mm)	Length L(mm)	Maximum Number Acceptable	Minimum Space	O	-
		$W \leq 0.25$	$L \leq 1.2$	2	20mm		
		$W \leq 0.2$	$L \leq 1.5$	3	20mm		
		$W \leq 0.15$	$L \leq 2.0$	3	20mm		
		$W \leq 0.1$	$L \leq 3.0$	4	20mm		
		Total		6			
	Rubbing Scratch	To be judged by HITACHI standard				O	-

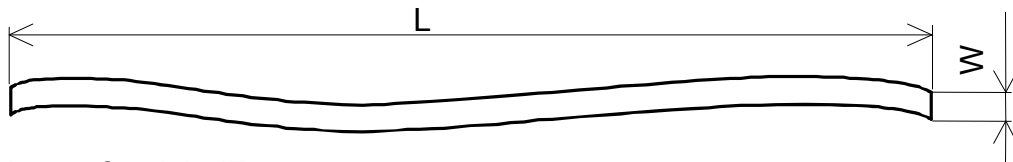
No.	ITEM	CRITERIA		
C F L	Dark Spots, White Spots Foreign Materials (Spot)	Average Diameter D(mm)		Maximum Number Acceptable
		$D \leq 0.4$		Ignore
		$D > 0.4$		None
B / L	Foreign Materials (Line)	Width W(mm)	Length L(mm)	Maximum Number acceptable
		$W \leq 0.2$	$L < 2.5$	$\leq 1$
		$W \leq 0.2$	$L > 2.5$	None
		$W > 0.2$	-	None
	Scratches	Width W(mm)	Length L(mm)	Maximum Number Acceptable
		$W \leq 0.1$	-	Ignore
		$0.1 < W \leq 0.2$	$L \leq 11.0$	$\leq 1$
		$0.1 < W \leq 0.2$	$L \geq 11.0$	None
		$W > 0.2$	-	None

Note

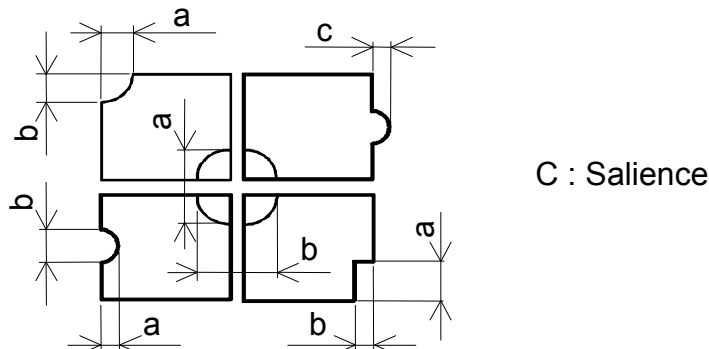
(1) Definition of average diameter D



(2) Definition of length L and width W



(3) Definition of pinhole



## 11. PRECAUTION IN DESIGN

### 11.1 LC DRIVING VOLTAGE (VEE) AND VIEWING ANGLE RANGE.

Setting VEE out of the recommended condition will be a cause for a change of viewing angle range.

### 11.2 CAUTION AGAINST STATIC CHARGE

As this module is provided with C-MOS LSI, the care to take such a precaution as grounding the operator's body is required when handling it.

### 11.3 POWER ON SEQUENCE

Input signals should not be applied to LCD module before power supply voltage is applied and reaches to specified voltage ( $5V \pm 0.5\%$ ).

If above sequence is not kept, C-MOS LSI of LCD modules may be damaged due to latch up problem.

### 11.4 PACKAGING

(1) No. leaving product is preferable in the place of high humidity for a long period of time.

For their storage in the place where temperature is  $35^{\circ}\text{C}$  or higher, special care to prevent them from high humidity is required.

A combination of high temperature and high humidity may cause them polarization degradation as well as bubble generation and polarizer peel-off.

Please keep the temperature and humidity within the specified range for use and storage.

(2) Since upper/bottom polarizers tend to be easily damaged, they should be handled full with care so as not to get them touched, pushed or rubbed.

(3) As the adhesives used for adhering upper/bottom polarizers are made of organic substances which will be deteriorated by a chemical reaction with such chemicals as acetone, toluene, ethanol and isopropyl alcohol.

The following solvents are recommended for use:  
normal hexane

please contact us when it is necessary for you to use chemicals.

(4) Lightly wipe to clean the dirty surface with absorbent cotton waste or other soft material like chamois, soaked in the chemicals recommended without scrubbing it hardly.

To prevent the display surface from damage and keep the appearance in good state, it is sufficient, in general, to wipe it with absorbent cotton.

(5) Immediately wipe off saliva or water drop attached on the display area because its long period adherence may cause deformation or faded color on the spot.

(6) Foggy dew deposited on the surface and contact terminals due to coldness will be caused for polarizer damage, stain and dirt on product. When necessary to take out the products from some place at low temperature for test, etc.

It is required for them to be warmed up in a container once at the temperature higher than that of room.

(7) Touching the display area and contact terminals with bare hands and contaminating them are prohibited, because the stain on the display area and poor insulation between terminals are often caused by being touched by bare hands.

(There are some cosmetics detrimental to polarizers.)

KAOHSIUNG HITACHI ELECTRONICS CO.,LTD.	DATE	Mar.25,'10	Sh. No.	7B64PS 2711- SP14N001-Z1A-8	PAGE	11-1/2
---	------	------------	------------	-----------------------------	------	--------

(8) In general the quality of glass is fragile so that it tends to be cracked or chipped in handling, specially on its periphery. be careful not to give it sharp shock caused by dropping down, etc.

#### 11.5 CAUTION FOR OPAERATION

- (1) It is an indispensable condition to drive LCD's within the specified voltage limit since the higher voltage than the limit causes the shorter LCD life.  
An electrochemical reaction due to direct current causes LCD's undesirable deterioration, so that the use of direct current driver should be avoided.
- (2) Response time will be extremely delayed at lower temperature than the operating temperature range and on the other hand at higher temperature LCD's show dark bull color in them.  
however those phenomena do not mean malfunction or out of order with LCD's which will come back in the specified operating temperature range.
- (3) If the display area is pushed hard during operating, some font will be abnormally displayed but it resumes normal condition after turning off once.
- (4) A slight dew depositing on terminals is a cause for electorochemical reaction resulting in terminal open circuit.  
Usage under the relative condition of 40°C 50%RH or less is required.

#### 11.6 STORAGE

In case of storing for a long period of time (for instance,for years) for the purpose of replacement use , the following ways area recommended.

- (1) Storage in a polyethylene bag with the opening sealed so as not to enter fresh air outside in it , and with no desiccant.
- (2) Placing in a dark place where neither exposure to direct sunlight nor light is , keeping temperature in the range from 0°C to 35°C.
- (3) Storage with no touch on polarizer surface by anything else.  
(It is not recommended to store them as they have been contained in the inner container at the time of delivery from us.)

#### 11.7 SAFETY

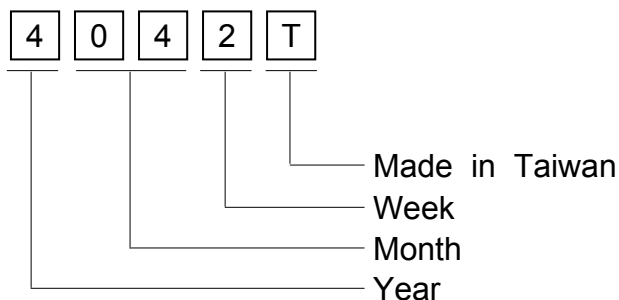
- (1) It is recommendable to crash damage or unnecessary LCD's into pieces and wash off liquid crystal by either of solvents such as acetone and ethanol , which should be burned up later.
- (2) When any liquid leaked out of a damage glass call comes in contact with your hands, please wash it off well with soap and water.

KAOHSIUNG HITACHI ELECTRONICS CO.,LTD.	DATE	Mar.25,'10	Sh. No.	7B64PS 2711- SP14N001-Z1A-8	PAGE	11-2/2
---	------	------------	------------	-----------------------------	------	--------

## 12. DESIGNATION OF LOT MARK

### 12.1 Lot mark

Lot mark is consisted of 4 digits number.



YEAR	FIGURE IN LOT MARK
2010	0
2011	1
2012	2
2013	3
2014	4

Note 1 : Some products have alphabet at the end or the first.

MONTH	FIGURE IN LOT MARK	MONTH	FIGURE IN LOT MARK
Jan.	01	Jul.	07
Feb.	02	Aug.	08
Mar.	03	Sep.	09
Apr.	04	Oct.	10
May	05	Nov.	11
Jun.	06	Dec.	12

WEEK (DAY IN CALENDAR)	FIGURE IN LOT MARK
01~07	1
08~14	2
15~21	3
22~28	4
29~31	5

### 12.2 REVISION

REV No.	ITEM	NOTE
-	CFL I/F Connector : Mitsumi M63M83 - 04	-
A	CFL I/F Connector : JAE IL-G-4S-S3C2-SA	7102T
B	M count IC change	-
C	Controller IC Change	PCN0768

### 12.3 LOCATION OF LOT MARK on the back side of LCM

4 0 4 2 T

T : Made in Taiwan.

### 13. PRECAUTION FOR USE

13.1 A limit sample should be provided by the both parties on an occasion when the both parties agreed its necessity.

Judgment by a limit sample shall take effect after the limit sample has been established and confirmed by the both parties.

13.2 On the following occasions, the handling of the problem should be decided through discussion and agreement between responsible persons of the both parties.

- (1) When a question is arisen in the specifications.
- (2) When a new problem is arisen which is not specified in this specifications.
- (3) When an inspection specifications change or operating condition change in customer is reported to HITACHI, and some problem is arisen in this specification due to the change.
- (4) When a new problem is arisen at the customer's operating set for sample evaluation in the customer site.

The precaution that should be observed when handling LCM have been explained above. If any points are unclear or if you have any request , please contact HITACHI.

KAOHSIUNG HITACHI ELECTRONICS CO.,LTD.	DATE	Mar.25,'10	Sh. No.	7B64PS 2713- SP14N001-Z1A-8	PAGE	13-1/1
---	------	------------	------------	-----------------------------	------	--------

## 14. TOUCH PANEL SPECIFICATION

### 14.1 RATINGS

#### 14.1.1 ABSOLUTE MAXIMUM RATINGS

ITEM	SPECIFICATION	COMMENT
Operating Voltage	(7V)	Without Condensation
Contact Current	(20mA)	
Operating Temperature	(0~55°C 20~85%RH)	
Storage Temperature	(-20~70°C 20~85%RH)	

#### 14.1.2 OPERATING CONDITIONS

ITEM	SPECIFICATION
Operating Voltage	5VDC
Contact Current	10 ~ 20 mA
Actuation Force	1.2N max.

### 14.2 MECHANICAL STRENGTH

#### 14.2.1 INPUT METHOD & ACTUATION FORCE

INPUT METHOD	ACTUATION FORCE	COMMENT
Pen	1.2N max.	R0.8, Polyacetal Pen

#### 14.2.2 SURFACE HARDNESS (2H MIN.)

### 14.3 OPTICAL CHARACTERISTICS

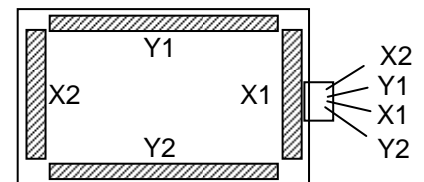
#### 14.3.1 TRANSPARENCY : (76% MIN.)

#### 14.3.2 HAZE : (5% MAX.)

### 14.4 ELECTRICAL CHARACTERISTICS

#### 14.4.1 CONDUCTIVE RESISTANCE

TERMINAL	CONDUCTIVE RESISTANCE
X1-X2	(150~1300Ω)
Y1-Y2	(150~1300Ω)



#### 14.4.2 INSULATION RESISTANCE

TERMINAL	INSULATION RESISTANCE	TESTING VOLTAGE
X-Y	(20MΩ)	25VDC

#### 14.4.3 BOUNCE CHATTERING 10msec max.

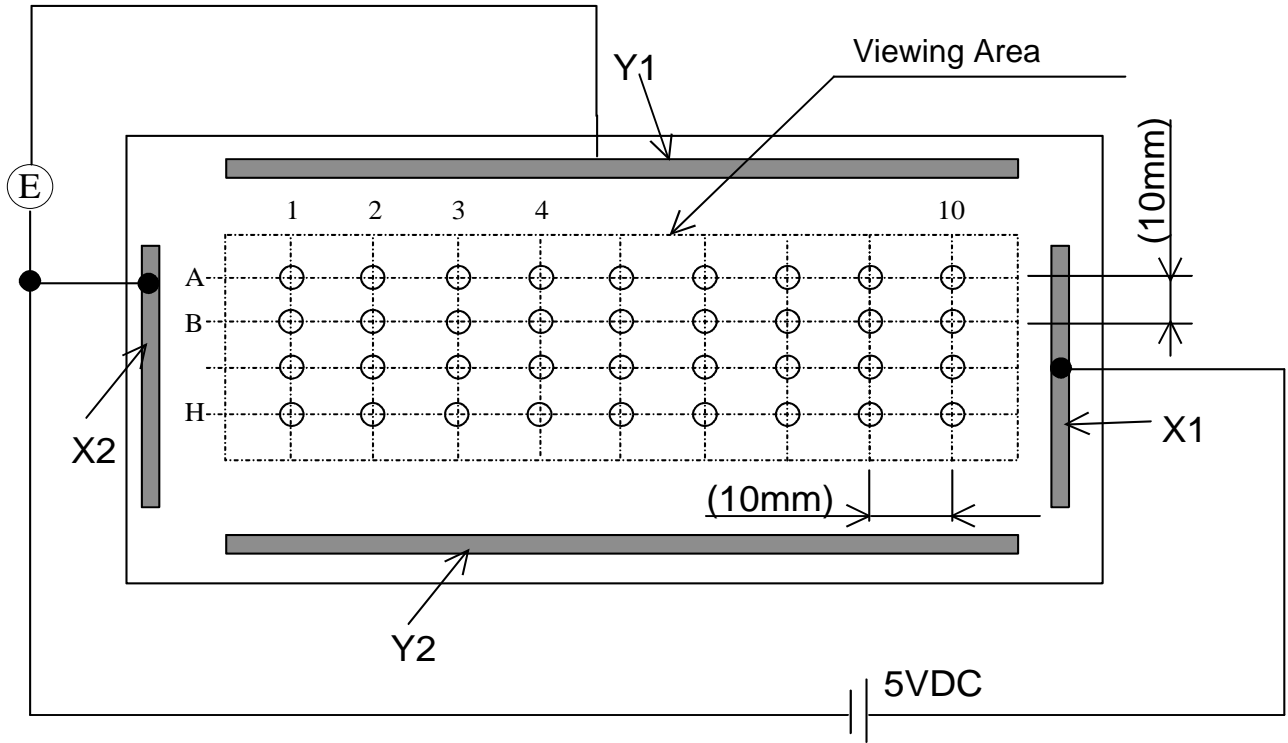
### 14.4.4 LINEARITY

(1) Linearity

Linearity deviation : (2% max.)

(2) Testing circuit

(a) Y axis linearity testing method , 100g , VX1-VX2=5V , VOUT=VY1.

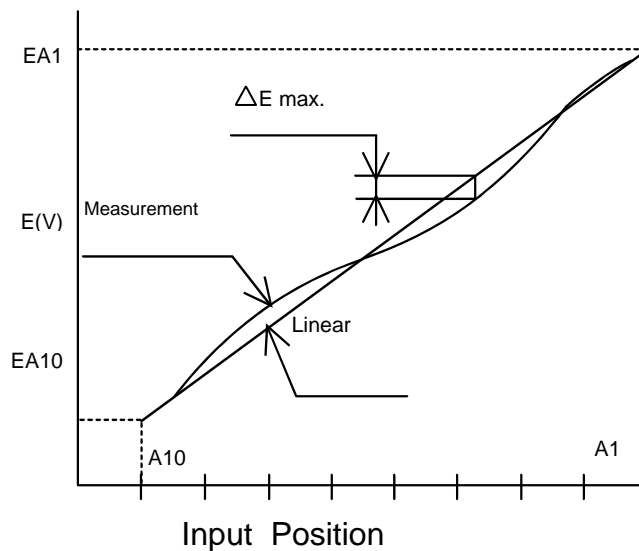


(b) X axis linearity method VY1-Y2=5V , VOCU=VX1

(3) Calculation

(a) Y axis linearity

$$\text{Linearity} = \frac{\Delta E \text{ max.}}{E A1 - E A10} * 100(\%)$$



### 14.5 ENVIRONMENTAL TESTING

ITEM	CONDITIONS	CRITERIA
High Temperature Storage	( 70°C / 120h )	After testing must to meet the specifications of the electrical, mechanical & optical characteristics.
Low Temperature Storage	( -20 / 120h )	
Temperature Cycle	( -20°C ↔ 70°C ) ( (60) (60) (60) : Minutes ) ( 10 Cycles )	
Humidity Storage	( 60°C , 90%RH. 120h )	
Durability for Keystroke	( 1 million Touch / 250gf ) ( 0.1 million Life / 250gf )	

### 14.6 APPEARANCE SPECIFICATION

		Reject criteria
Film dent		D > 0.3 : To be zero
Foreign Material Between Glass & film	Dot type	0.3 ≥ D > 0.2 : To be max 2points interval of faults is 50mm min. 0.2 ≥ D : None-specify $D = \frac{D1+D2}{2} \quad [mm]$
	Line type	W ≥ 0.1 : refer to "Dot type" 0.1 > W ≥ 0.05 With L ≥ 5 : To be zero
Scratch		0.1 > W ≥ 0.05 With L < 5 : To be max 2points interval of faults is 50mm min. 0.5 > W : None-specify W : Width [mm] L : Length [mm]
Film dot type blur		Area 0.5mm <sup>2</sup> ≤ : To be zero
Film hard-coat Missing		Area 0.3mm <sup>2</sup> ≤ < 0.5mm <sup>2</sup> : To be max 5points Area 0.3mm <sup>2</sup> ≤ : None-specify
Glass flaw		To be no flaw which size is over the drawing specified as Below. Number of flaw is none-specify. Traveling flaw is none. Flaw of thickness-direction Size is glass-thickness max. 